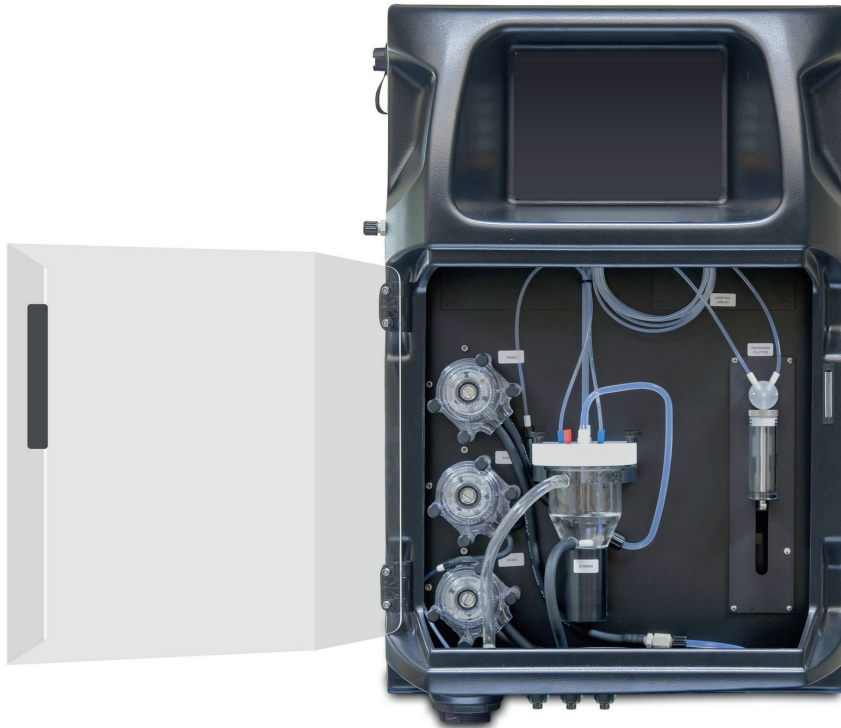


EZ9700 External Dilution Unit

Applications

- Wastewater
- Surface water
- Process water



Product image may differ from actual product. Please refer to technical drawings.

Convenient and precise sample dilution up to 1/250 - compatible with EZ Series online analysers

About the EZ9000 Series

The successful implementation of online analysers in process control strategies could not have been achieved without the development of a new generation of automatic sampling and sample preconditioning systems. The EZ9000 Series are the result of many years of experience in filtration, dilution and settling.

The EZ9700 is an external dilution unit designed for sample dilution in water analysis applications where concentrations of the analyte are so elevated that absorbance readings would be out of range, while any internal sample dilution would not be sufficient to cover the broad measuring range. The unit combines a number of features with ease of use:

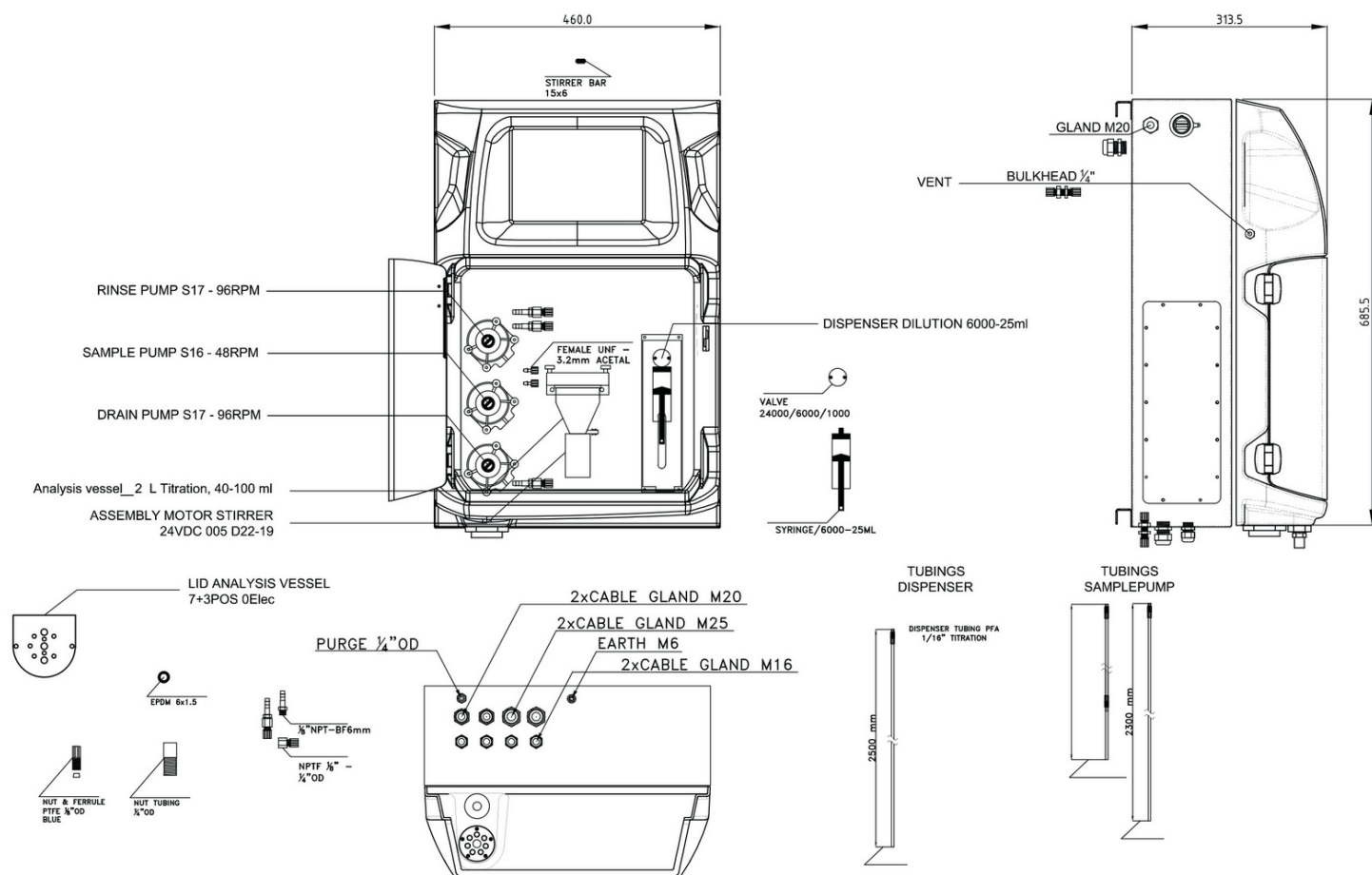
- Discontinuous sample dilution system for external dilution up to 1/250
- Robust alternative to internal sample dilution by micropump or dispenser
- Dilution with demineralised water
- Fully controlled by analyser panel PC

Technical Data*

Dilution	1/50, 1/100, 1/150, 1/200, 1/250; controlled by analyser
Cleaning	Automatic; frequency freely programmable
Required fast loop	100 - 300 mL/min
Sample temperature	Max. 65 °C
Instrument air	Dry and oil free according to ISA-S7.0.01-1996 quality standard for instrument air
Drain	1/4" OD tubing
Demineralised water	For dilution
Power	24 VDC, powered by analyser
Earth connection	Dry and clean earth pole with low impedance (< 1 Ohm) using an earth cable of > 2.5 mm ²
Protection class	IP55
Material	Cabinet: PVC Dilution vessel: borosilicate glass Tubing: Norprene, PFA, PE
Dimensions (H x W x D)	400 mm x 405 mm x 165 mm
Weight	15 kg

**Subject to change without notice.*

Dimensions - Drawings



Be confident with Hach Service

Start-Up/Commissioning: Our service technicians visit your site and setup instrumentation, provide basic end-user training on operations and maintenance, and validate settings and performance to get you started.

Service Agreement: Hach provides on-site and in-factory repair, preventive maintenance, and calibration programs for your instruments to ensure reliability and instrument up-time. We have services to fit your specific needs.

Order Information - Part Number Configurator

External dilution unit, controlled by analyser	EZ9700.99	X	X	X	X	X	2
External dilution unit, master for +1 analysers	EZ9750.99						
Dilution ratio							
Max. 50x dilution		1					
Max. 100x dilution		2					
Max. 150x dilution		3					
Max. 200x dilution		4					
Max. 250x dilution		5					
Power supply							
Standard 110 - 240 VAC, 50/60 Hz			0				
Customised			Z				
Number of sample streams							
1 stream					1		
2 streams (total # of streams from connected analyser(s))					2		
3 streams (total # of streams from connected analyser(s))					3		
4 streams (total # of streams from connected analyser(s))					4		
5 streams (total # of streams from connected analyser(s))					5		
6 streams (total # of streams from connected analyser(s))					6		
7 streams (total # of streams from connected analyser(s))					7		
8 streams (total # of streams from connected analyser(s))					8		
Number of analysers*							
1 analyser						1	
2 analysers (only EZ9750)						2	
3 analysers (only EZ9750)						3	
4 analysers (only EZ9750)						4	
Specials							
No adaption, standard version							0
Customer specific adaptations required, to specify							S

*Similar dilution ratios required.