

# EZ9000 Series Self-cleaning Filtration Systems

## Applications

- Wastewater
- Surface water



## Universal self-cleaning filtration systems - compatible with all EZ Series online analysers

### About the EZ9000 Series

The successful implementation of online analysers in process control strategies could not have been achieved without the development of a new generation of automatic sampling and sample preconditioning systems. The EZ9000 Series are the result of many years of field experience in combining analysers with filtration units.

### Simplified operation by self-cleaning action

All preconditioning systems are designed for fully automatic operation and require virtually no human intervention. Basically all systems are incorporated either with a blowback action by instrument air, or a specific cleaning cycle. This fundamental design principle does not merely allow trouble-free sampling, moreover it contributes to high uptimes.

The EZ9010 and EZ9020 systems are front runners of the filtration series and the standard designed for reliably delivering filtered samples to an online analyser. The self-cleaning feature of the unit includes a blowback action with sample to prevent the filter element, the sample tubing and the analyser from blocking and blinding. Prime features include:

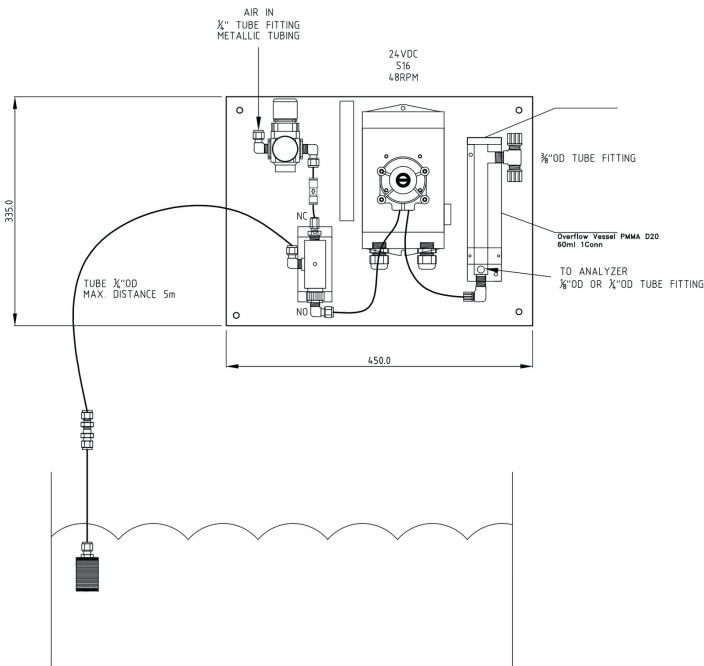
- Self-cleaning sample filtration with various pore sizes
- Automatic cleaning action: blowback by solenoid controlled instrument air
- Static Pressure Regulator assures a constant, readily available sample level at atmospheric pressure
- PLC or analyser controlled cleaning frequency

**Technical Data\***

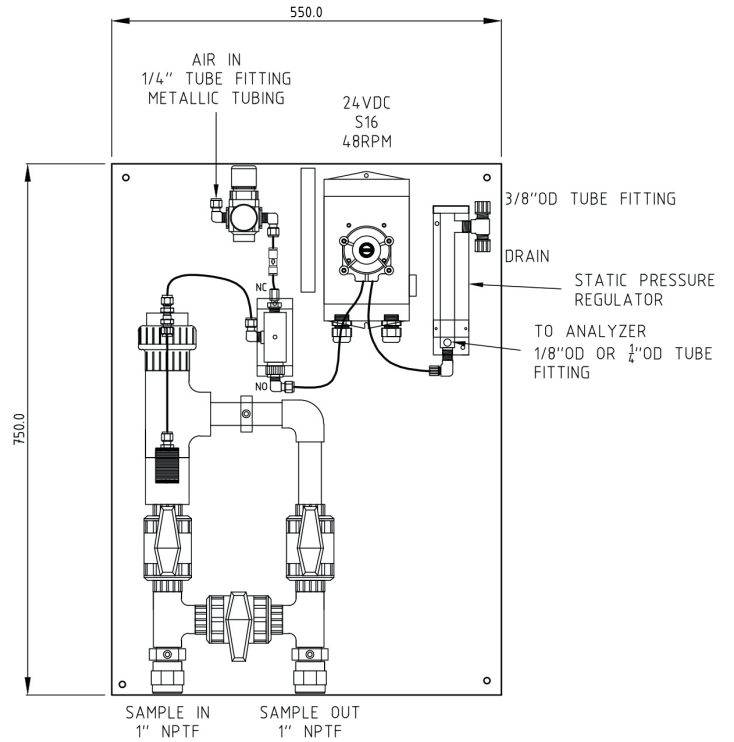
<b>Cleaning</b>	Automatic blowback by solenoid controlled instrument air
<b>Pore size</b>	50 µm 100 µm 200 µm
<b>Required fast loop</b>	2 m/s
<b>Sample temperature</b>	Max. 65 °C
<b>Instrument air</b>	Dry and oil free according to ISA-S7.0.01-1996 quality standard for instrument air
<b>Drain</b>	Sample return line 1" BSF; overflow Static Pressure Regulator 3/8" OD
<b>Power</b>	24 VDC, powered by analyser or external supply
<b>Earth connection</b>	Dry and clean earth pole with low impedance (< 1 Ohm) using an earth cable of > 2.5 mm <sup>2</sup>
<b>Protection class</b>	IP55
<b>Material</b>	Filter: SS 316L Piping: PVC Manual ball valves: PVC Tubing: Norprene, PFA, PE Static Pressure Regulator: PMMA Panel: weather resistant Trespa
<b>Dimensions (H x W x D)</b>	750 mm x 550 mm x 200 mm
<b>Weight</b>	12 kg

\*Subject to change without notice.

## Dimensions - Drawings



EZ9010



EZ9020

## Be confident with Hach Service

**Start-Up/Commissioning:** Our service technicians visit your site and setup instrumentation, provide basic end-user training on operations and maintenance, and validate settings and performance to get you started.

**Service Agreement:** Hach provides on-site and in-factory repair, preventive maintenance, and calibration programs for your instruments to ensure reliability and instrument up-time. We have services to fit your specific needs.

## Order Information - Part Number Configurator

Filtration system, standard version, for immersion	EZ9010.99	X	X	X	X	X	X
Filtration system, fast loop	EZ9020.99						
<b>Cleaning</b>							
Backflush valve controlled by timer (local dipswitch) - AIR (recommended)	1						
Backflush valve controlled by timer (local dipswitch) - WATER	2						
Backflush valve controlled by analyser - AIR (recommended) <sup>1)</sup>	3						
Backflush valve controlled by analyser - WATER <sup>1)</sup>	4						
<b>Pore size</b>							
50 µm			1				
100 µm			2				
200 µm			3				
<b>Power supply</b>							
Powered through analyser					0		
Stand-alone unit - 24 VDC needed					1		
<b>Length of tubing-heating</b>							
Standard						0	
Up to 3 m (EZ9010 only)						A	
Up to 3 m with heating (EZ9010 only)						B	
Up to 6 m (EZ9010 only)						C	
Up to 6 m with heating (EZ9010 only)						D	
Up to 10 m (EZ9010 only)						E	
Up to 10 m with heating (EZ9010 only)						F	
Up to 15 m (EZ9010 only)						G	
Up to 15 m with heating (EZ9010 only)						H	
Up to 20 m (EZ9010 only)						I	
Up to 20 m with heating (EZ9010 only)						J	
Customised						Z	
<b>Other options</b>							
Manual (continuous) sample pump, incl. overflow vessel without drain valve							0
Sample pump controlled by analyser, incl. overflow vessel without drain valve <sup>1)</sup>							1
Manual (continuous) sample pump, incl. overflow vessel with drain valve							2
Sample pump controlled by analyser, incl. overflow vessel with drain valve <sup>1)</sup>							3
Manual (continuous) sample pump, incl. overflow vessel and connections to 2 analysers, without drain valve							4
Sample pump controlled by analyser, incl. overflow vessel and connections to 2 analysers, without drain valve <sup>1)</sup>							5
Manual (continuous) sample pump, incl. overflow vessel and connections to 2 analysers, with drain valve							6
Sample pump controlled by analyser, incl. overflow vessel and connections to 2 analysers, with drain valve <sup>1)</sup>							7
<b>Number of sample streams</b>							
1 stream							1
Customised							Z

<sup>1)</sup> Not in combination with stand-alone unit power supply

DOC053.52.35210.Feb19